

polytouch® classic 32"



HIGHLIGHTS

- Projected capacitive 32" multi-touch system
- Intel® Core™ i5-4570TE CPU
- Up to 10 touches
- Full HD (1920 x 1080)
- QMS for individual system configuration
- LED user guidance

Pedestal "Elegance", intelligent LED user guidance and QMS extension modules:
Barcode scanner, POS thermal printer and magnetic card reader

OVERVIEW

| | | |
|-------------------------|----------------------|--|
| DISPLAY | Screen size | 812.8 mm (31.5") (Anti Glare) |
| | Resolution | 1920 x 1080 (Full HD) |
| | Brightness | 450 cd/m ² |
| | Contrast | 3000 : 1 |
| TOUCH CONTROLLER | Touch technology | Projected capacitive technology (PCT) |
| | Simultaneous touches | 10 touches |
| | Latency | < 25 ms |
| COMPUTER UNIT | Processor | Intel® Core™ i5-4570TE Haswell (2.7 GHz [Turbo: 3.3 GHz] / 4 MB cache / 2 cores / 4 threads) |
| | Chipset | Intel® Q87 Express |
| | Graphics | Intel® HD4600 graphics on Chip (350 MHz [Turbo: 1 GHz]) |
| | Memory | 8 GB DDR-3 PC1600 |
| | Storage | mSATA SSD 128 GB |
| | LAN / WLAN | 1GbE LAN / 300 Mbps WLAN |
| | OS compatibility | Windows 7 (32/64 Bit), Windows 8 (32/64 Bit), Ubuntu Linux |
| CHASSIS | Dimensions (WxDxH) | Slim modules: 951 x 446 x 83 mm/37.44 x 17.56 x 3.27 inch QMS modules: 1042 x 446 x 82 mm/41.02 x 17.56 x 3.23 inch (with POS thermal print: 1042 x 446 x 88 mm/41.02 x 17.56 x 3.46 inch) |
| | System weight | 27 kg (without packaging and pedestal) |
| | Power input | 100-240 V AC C14 |
| | Mounting | VESA MIS-E; wall-mount, built-in, pedestal |

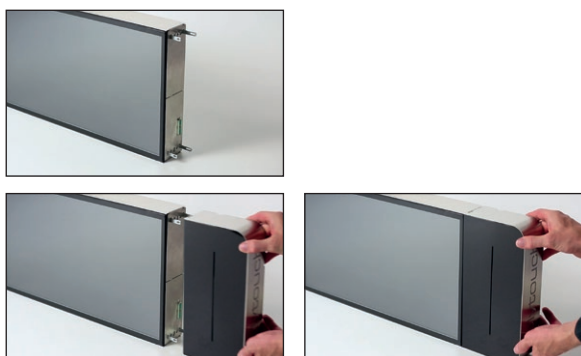
Pictures show sample configurations, real product may vary.

1/3

polytouch® classic 32"

Options

polytouch® QMS - Quick Mounting System



QMS extension modules polytouch® 32



80 x 80mm POS thermal printer



Verifone VX820
Chip and PIN payment



Intelligent LED
user guidance



Magnetic card reader

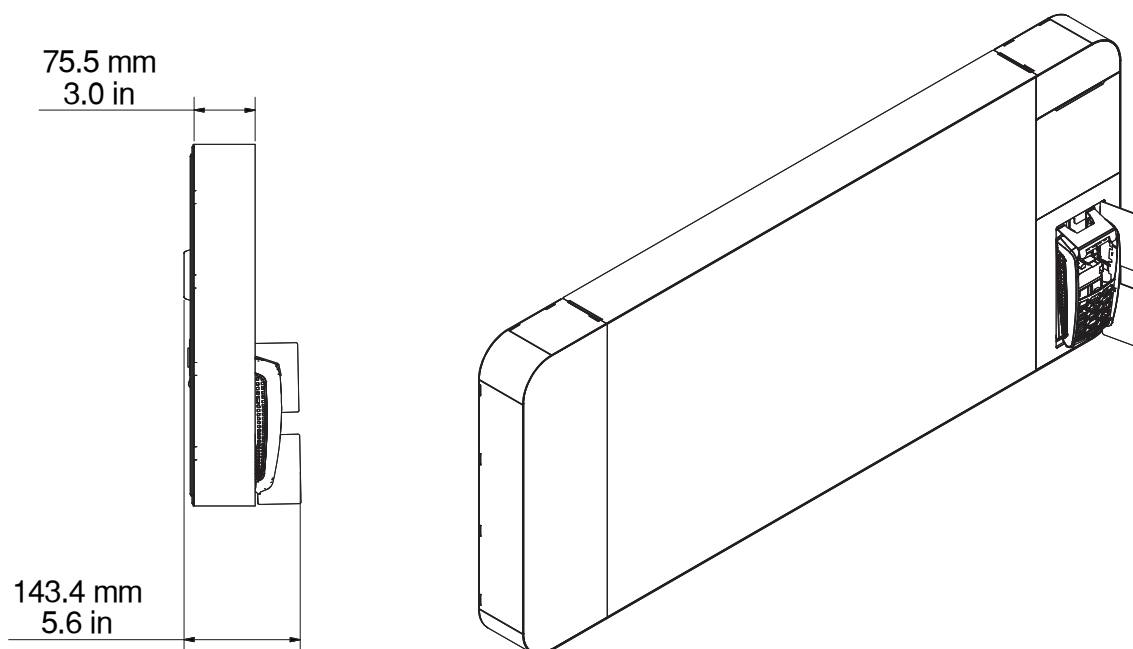
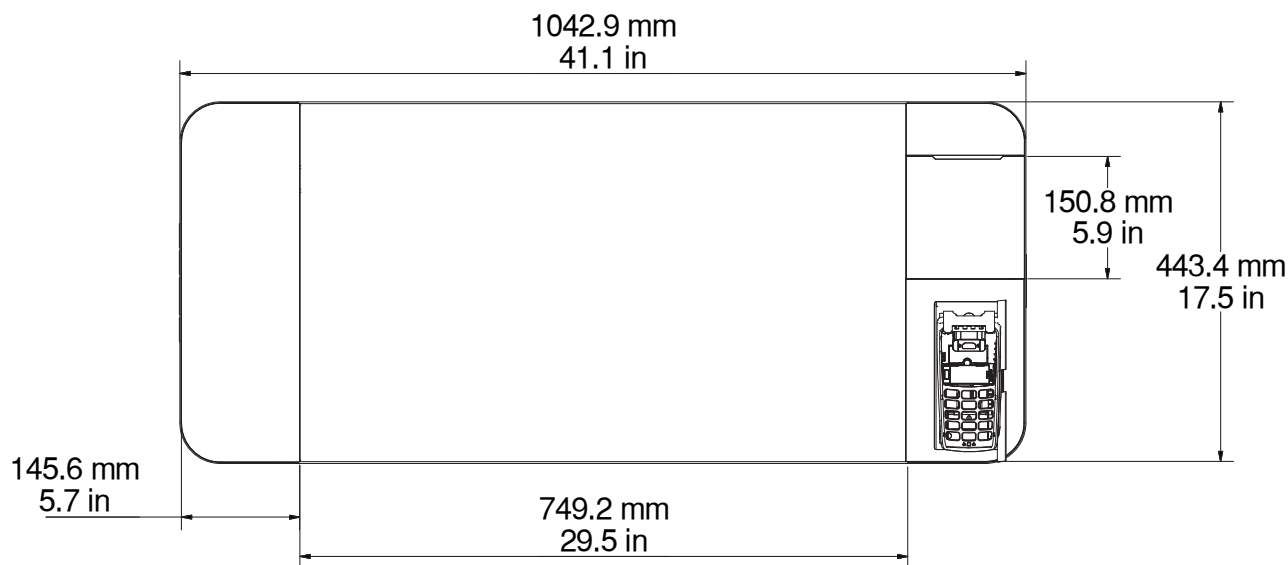


Barcode scanner

Pictures show sample configurations, real product may vary.

polytouch® classic 32"

Dimensions



ds_polytouch_32_classic_en · 11.05.21 · specification is subject to change